

# MacPBX

The MacPBX system integrates an Apple Macintosh computer with any PBX system to simplify the control of PBX features.

The screenshot shows three overlapping windows from the MacPBX software. The top window is titled "MacPBH Auto Dial". The middle window is titled "MacPBH DES / Direct Extension Selector". The bottom window is titled "MacPBH Extension Control Panel" and contains the following controls:

- Computer Phone Solutions (305) 653 4500 Ext. # 212
- To Ext. or Phone #: 555 1212
- DIAL (button)
- DIAL 9 (button)
- CALL FORWARDING
  - Busy/No Answer
  - Follow Me
  - Busy
  - No Answer
  - I Am Here
  - Privacy
- CALL PARK (button)
- TRANSFER (button)
- HOLD (button)
- Park Retrieve
- Save Number
- Conference
- Break In
- Exclusive Hold
- Remote Retrieve
- PICKUP (button)
- PAGE (button)
- VOICE PAGE (button)
- Pickup Directed
- Night Answer
- Camp On
- Phone Lock
- Callback Message
- Forced Release
- RELEASE (button)
- DND (button)
- VERRIDE (button)
- Message Waiting
- Data Security
- Activation
- Cancellation
- System Speed Call
- Auto Repeat Dial

With MacPBX phone use becomes a snap. Anyone can take full advantage of the many advanced features offered by a PBX phone system without having to learn complicated feature access codes. MacPBX lets workers concentrate on their job and forget "How do I use this #5%@% PBX system."

Because it is an accessory running in the computer's background area, it doesn't interfere with other computer tasks. For instance, imagine you are writing a letter with the computer and the phone rings. With MacPBX, you can quickly answer the phone call and transfer it if necessary without ever leaving your letter.

Point to the MacPBX desk accessory you want with the mouse and click the button. Everything you need to know is presented on your computer screen, so there are no mysterious phone switching codes to remember. Using the Macintosh mouse, you point to the option you need and click the mouse button. The Macintosh does the rest. And your letter is still there waiting for you to finish.

MacPBX has a built-in help feature to provide information instantly about YOUR PBX system

**Hold**

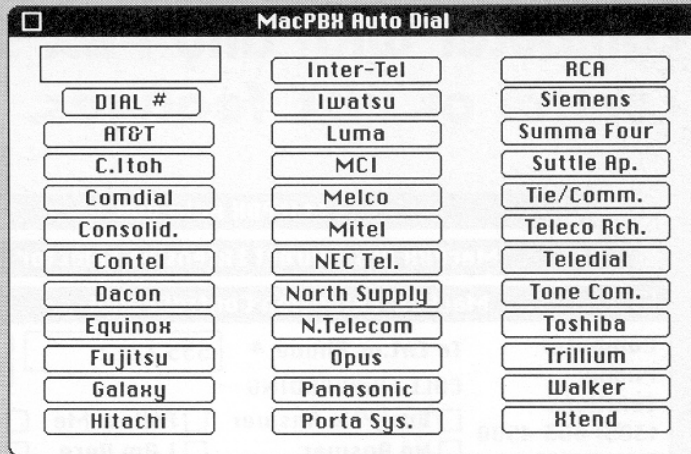
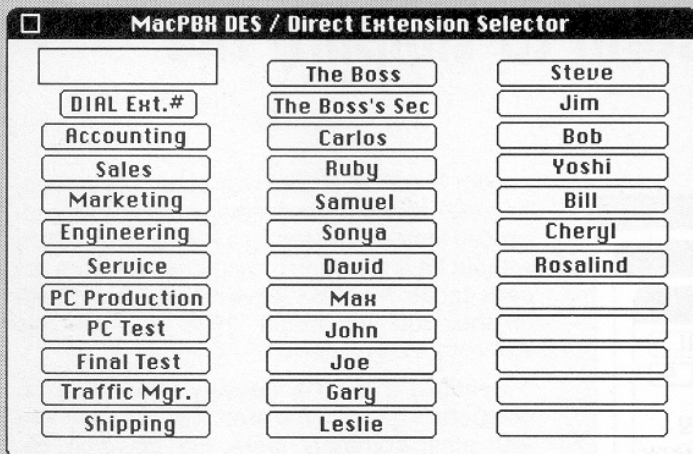
To place a call on Hold during a conversation click on the (Hold) box. This is called Consultation Hold. You now have dial tone and the caller is now on Hold. You can hang up, make another call, or use any other feature.

To retrieve the held call from your extension click on the (Hold Retrieve) box. You can now speak to the caller. To retrieve the call from a different extension you dial \*\*1 from that phone and the extension number where the call was held.

MacPBX contains a Help Menu which you can pull down at any time to receive help or information about a PBX feature you are not familiar with. A help screen like the one at right will appear to give you the information you need to know about that particular PBX feature. You'll never have to search through your PBX manual again to find out how to use a PBX feature or its particular dialing codes. When you're done with a help screen you click on it with the mouse button, and the help window disappears. This returns you to the MacPBX control panel, so you may access the feature you want to activate.

User Information
MacPBH
About Your System
Feature Codes
Glossary of Terms
Account Codes
Brokers Call
Call Back Busy
Call Forwarding
Call Park
Call Waiting
Camp-on
Conferencing
DND-Do Not Disturb
Handsfree Operation
Hold
Message Waiting
Night Service-TAFAS
Override
Paging
Pickup
Reset Feat & Release
Speed Call
Transfer

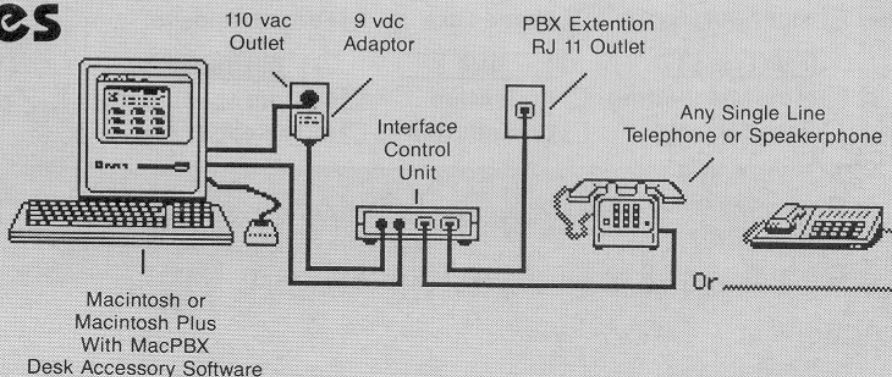
The MacPBX Control Panel can be customized to create control panels like those shown below. These customized versions are supplied with the MacPBX software. You can customize these desk accessories, renaming the buttons, changing their size and location, as well as their associated dialing codes or telephone numbers. You can install all three or just one. You can even create and install multiple control panels, if you desire.



The Direct Extension Selector is for contacting people or departments within your PBX system.

The Auto Dialer is for dialing any outside number you desire.

## MacPBX Attaches Easily to Any PBX System



### Specifications

- Performs switch hook flash which could not be done with any other available device (modem or auto dialer)
- Interfaces through the Macintosh's speaker jack so none of the serial ports are tied up, a speaker is provided (this is necessary because when you plug into the Macintosh's auto output the internal speaker is disabled)
- Transformer isolation to PBX station line
- Any feature can be operated with the phone on or off hook
- Includes 9 vdc adaptor and interconnect cables
- Works with any PBX system



**Computer Phone Solutions**  
 17630 N.E. 8th Place  
 North Miami Beach, Florida 33162  
 Phone (305) 653-4500

